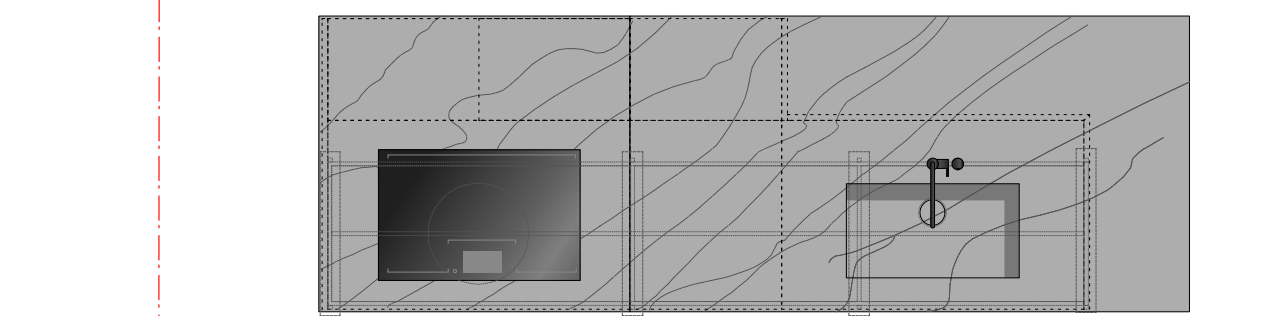


UNDERHOB BASE UNIT W/2 DRAWERS +1 H.DUTY DRAWER	DISHWASHER	UNDERSINK BASE UNIT PULL OUT
1223	600	1223
1235		399
	3455	2220
1200	900	900



- K14**
- . CARCASS : ELM
  - . FINISH: CANALETTO WALNUT U.S.
  - . HANDRAIL: BLACK
  - . PLINTH : H.80 BLACK
  - . TOP :  
N.1 TOP IN GREYSTONE W.1235 D.1175 TH.50 (TMRJFW2)  
N.1 TOP IN GREYSTONE W. 2220 D.1175 TH.50 (TMRJFW2)
  - . SINK :  
N.1 UNDERTOP SINKS IN GREYSTONE 675 x 375 (LCONAA104 + ANEF01N)
  - . TAP:  
N.1 MIXER DESIGN BOFFI (REAA10 + ALER01N)
  - . ACCESSORIES DOMESTICI FOR K14:  
N.1 AACY117 + AACY121  
N.1 AACY084 + AADC007  
  
N.1 DUSTBIN FOR BASE UNIT L.1200 (ABDL034)  
N.1 LED INTERNAL LAMP L.1200 (GMDD07+AVPE001)
  - . HOOD:  
N.1 OPEN L.1200 (VOPAKI02)  
N.1 CHIMNEY FOR HOOD H. 2970 (AKIT023)  
N.4 CEILING TIE-ROD H. 3000 (AKIW003)  
N.1 SHELF IN WIRED GLASS L. 900 (MIDDLE USE - VOPBFV03)  
N.1 SHELF IN WIRED GLASS L. 900 (END USE - VOPBVV03)  
N.2 LADLES HANGING BAR WITH LED L.900 SINGLE (AKOR002)
  - . ELECTRICAL APPLIANCES GAGGENAU BY CLIENT  
N.1 DISHWASHER (DF 480 161 F)  
N.1 COOKING HOB (CX 480 100)

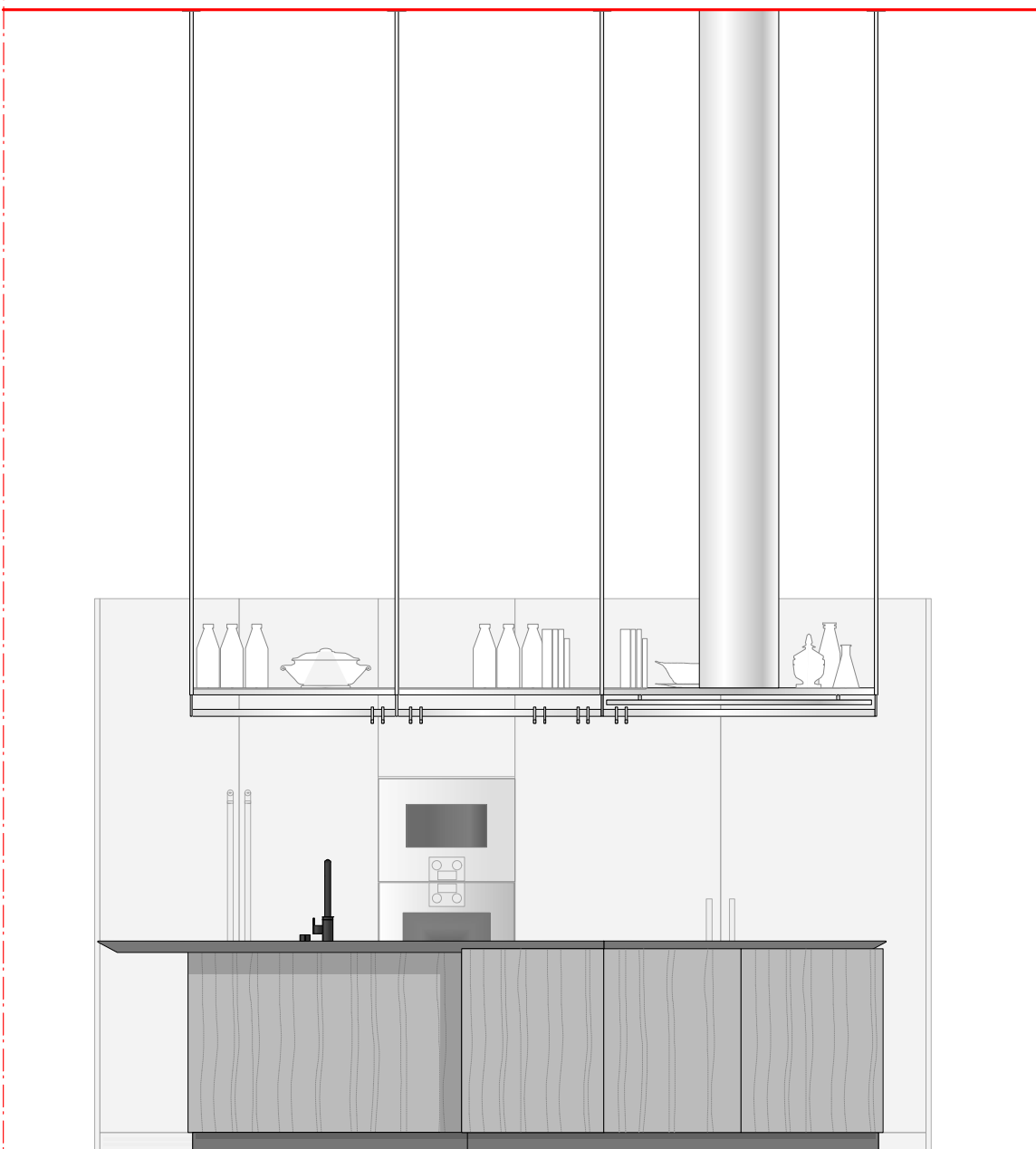
APPROVAL SIGNATURE :



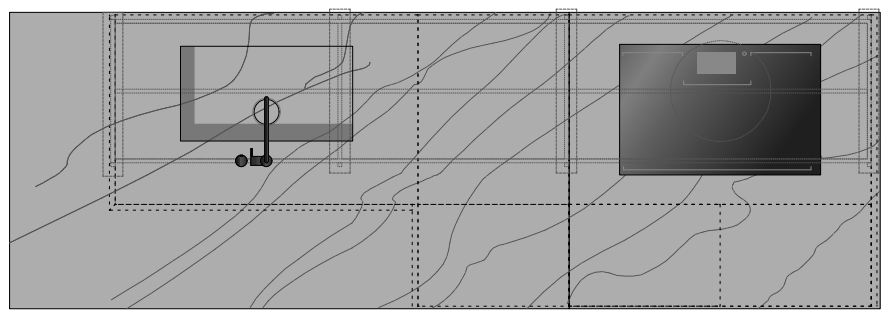
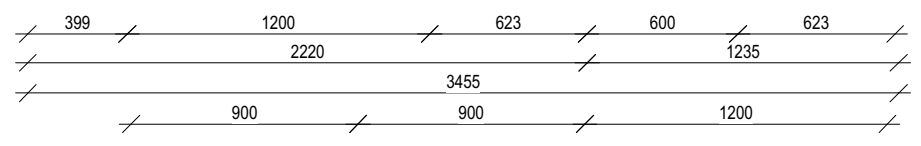
CLIENT: XCELSIOR  
 ADDRESS: VILNIUS  
 NUMBER: 92-18  
 REV: 02  
 DESCRIPTION: M30D42-92-18  
 H. CEILING: 5000  
 SCALE: 1:30  
 DATE: 27.03.2018  
 ARCHITECT: ALESSANDRO BRUNO

PLEASE CHECK THAT THE ARCHITECTURAL STRUCTURES, THE DRESSINGS AND THE FURNITURE DRAWN ABOVE ARE CORRECT. UNLESS STATED OTHERWISE IN WRITING THIS PROJECT IS TO BE CONSIDERED THE LATEST VALID VERSION.

5000  
3000  
2000  
920  
840  
80



PANEL      SHELVES RHH      SHELVES RHH      SHELVES LHH



**K14**  
 . CARCASS :  
 ELM  
 . FINISH:  
 CANALETTO WALNUT U.S.  
 . HANDRAIL:  
 BLACK  
 . PLINTH :  
 H.80 BLACK

APPROVAL SIGNATURE :



CLIENT: XCELSIOR  
 ADDRESS: VILNIUS  
 NUMBER: 92-18  
 REV: 02  
 DESCRIPTION: M30D42-92-18  
 H. CEILING: 5000  
 SCALE: 1:30  
 DATE: 27.03.2018  
 ARCHITECT: ALESSANDRO BRUNO

PLEASE CHECK THAT THE ARCHITECTURAL STRUCTURES, THE DRESSINGS AND THE FURNITURE DRAWN ABOVE ARE CORRECT. UNLESS STATED OTHERWISE IN WRITING THIS PROJECT IS TO BE CONSIDERED THE LATEST VALID VERSION.